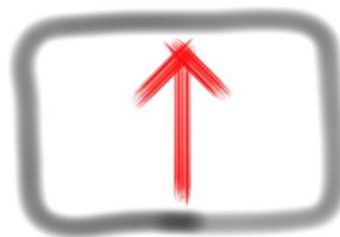
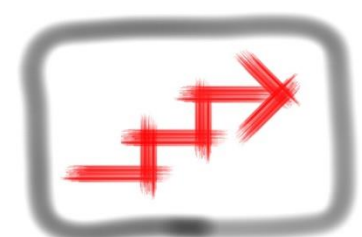


1.

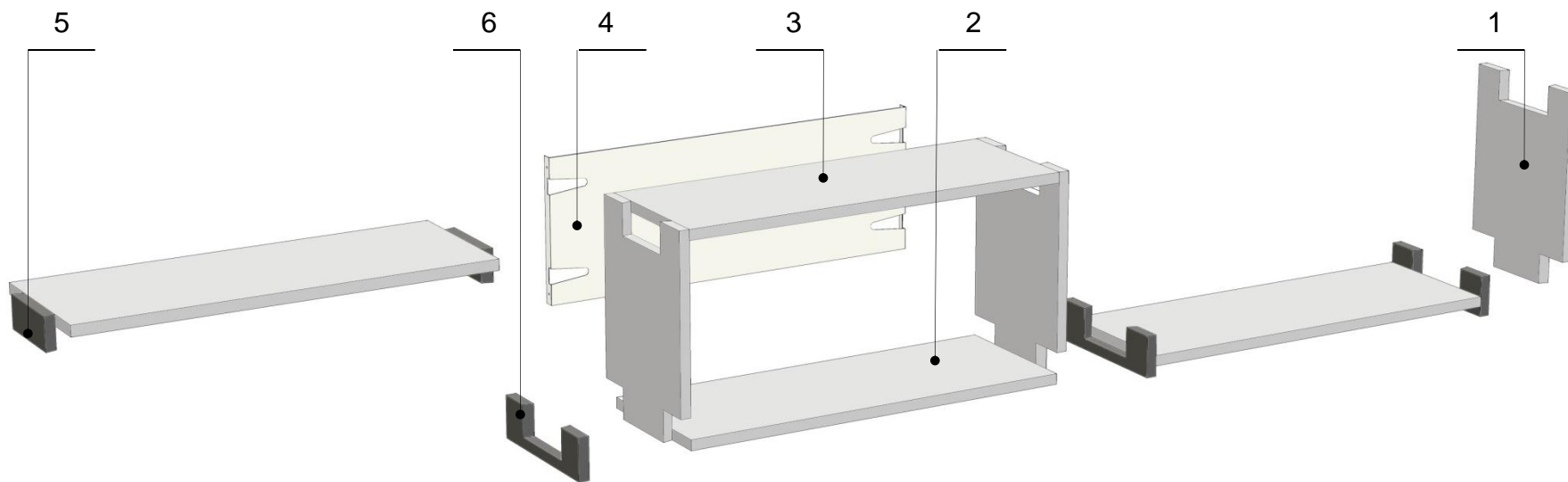


2.



3.

The structure is based on a simple module, that allows to build an infinite number of shelf combinations. It is stable and can be used from both sides. The design of the clasp is the key to the whole smart system - stacking up the modules creates a honeycomb-like structure. **Choose the structure you like.** The structure can be extended in different directions: horizontally (1), vertically (2) and diagonally (3).

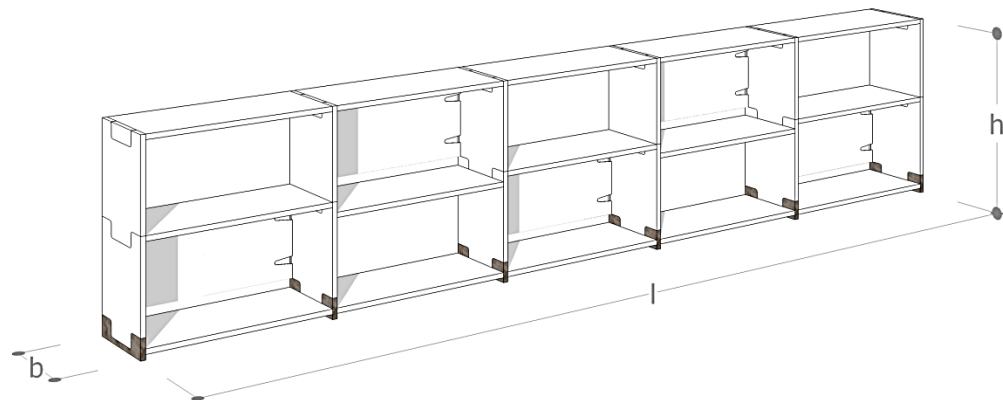


- | | | |
|-----------------------|------------------|-----------------------------|
| 1. side panel | art. 1144.02.011 | 420 x 330 x 19 |
| 2. shelf panel | art. 1144.02.012 | 762 x 328 x 19 |
| 3. shelf panel | art. 1144.02.013 | 762 x 328 x 19 |
| 4. back wall | art. 1144.02.014 | 761 x 299 x 6 |
| 5. clasp | art.1144.02.021 | 179 x 60 x 19 |
| 6. footing | art.1144.02.031 | 330 x 80 x 19 |
| 7. door | art. 1144.02.041 | 796 x 335 x 16 extra detail |

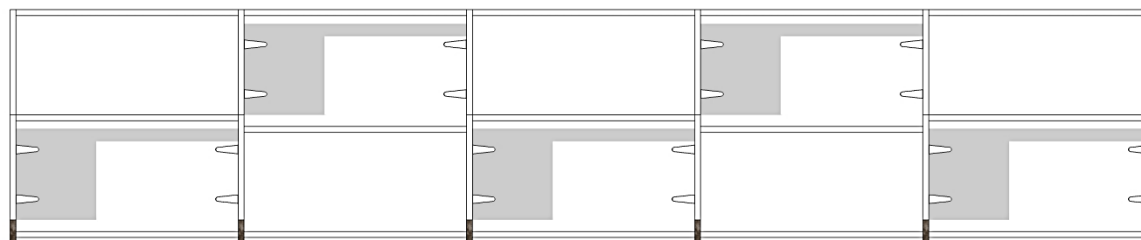


ADDITIONAL DETAILS for the 5 modules set

b-330 x l-3920 x h-800



1. side panel	art. 1144.02.011	420 x 330 x 19	2 pcs
2. shelf panel	art. 1144.02.012	762 x 328 x 19	2 pcs
3. shelf panel	art. 1144.02.013	762 x 328 x 19	3 pcs
4. back wall	art. 1144.02.014	761 x 299 x 6	in basic module
5. clasp	art.1144.02.021	179 x 60 x 19	6 pcs
6. footing	art.1144.02.031	330 x 80 x 19	6 pcs
7. door	<i>extra detail</i>		



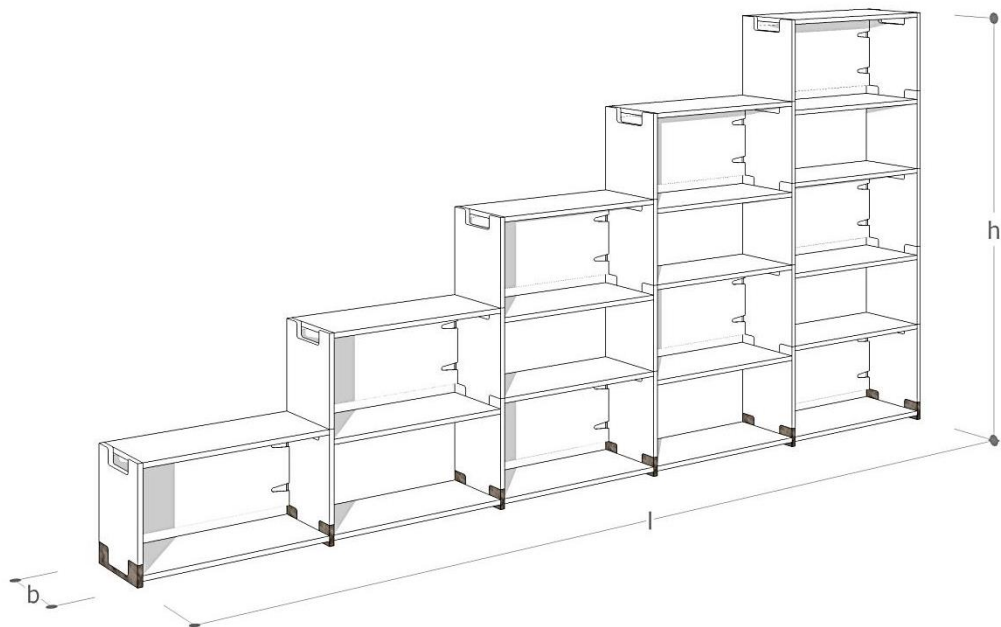


ADDITIONAL DETAILS for the 8 modules set

b-330 x l-2360 x h-1880

1. side panel	art. 1144.02.011	420 x 330 x 19	4 pcs
2. shelf panel	art. 1144.02.012	762 x 328 x 19	1 pcs
3. shelf panel	art. 1144.02.013	762 x 328 x 19	1 pcs
4. back wall	art. 1144.02.014	761 x 299 x 6	in basic module
5. clasp	art.1144.02.021	179 x 60 x 19	4 pcs
6. footing	art.1144.02.031	330 x 80 x 19	4 pcs
7. door	<i>extra detail</i>		

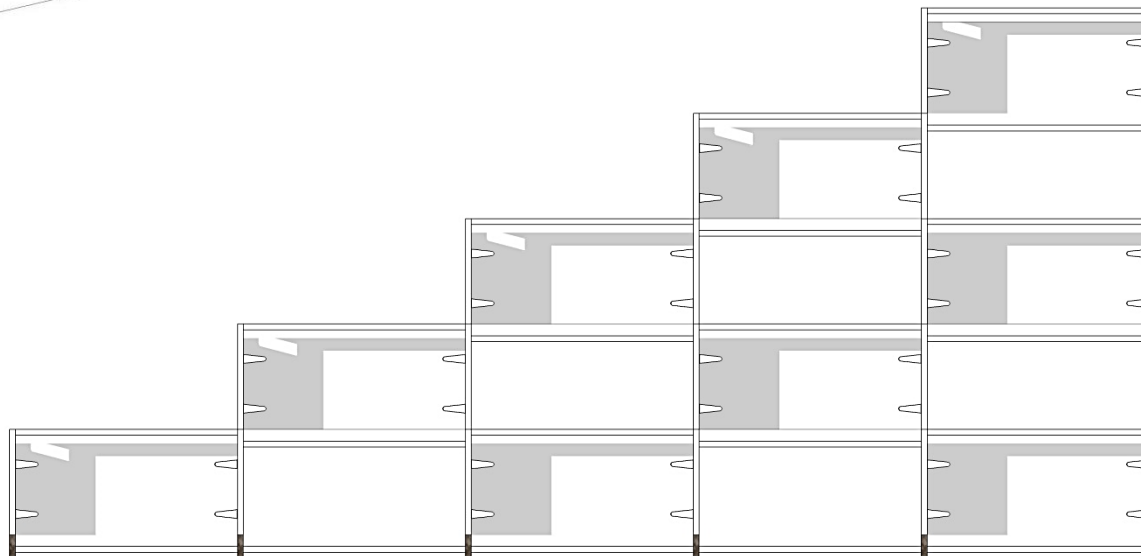




ADDITIONAL DETAILS for the 9 modules set

b-330 x l-3920 x h-1880

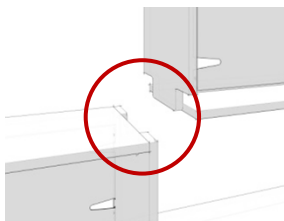
1. side panel	art. 1144.02.011	420 x 330 x 19	2 pcs
2. shelf panel	art. 1144.02.012	762 x 328 x 19	2 pcs
3. shelf panel	art. 1144.02.013	762 x 328 x 19	0 pcs
4. back wall	art. 1144.02.014	761 x 299 x 6	in basic module
5. clasp	art.1144.02.021	179 x 60 x 19	0 pcs
6. footing	art.1144.02.031	330 x 80 x 19	6 pcs
7. door	<i>extra detail</i>		



The smart structural furniture

The structure is based on a single simple module, that allows to build an infinite number of shelf combinations.

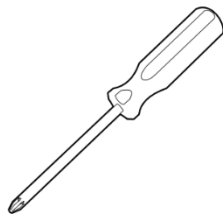
The design of the clasp is the key to the whole smart system - stacking up the modules creates a honey-comb like structure.



The basic module of the honeycomb is the constructional element of the structure.

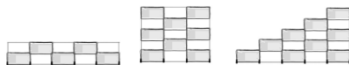
NB! The shelf must be fixed to the wall when the height of the shelf is 5 rows or more.

necessary tools

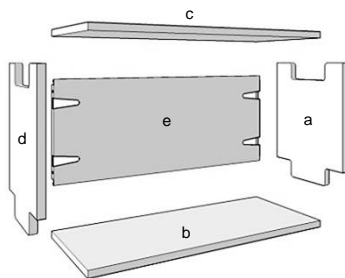


To create a single module, all you need is a screw driver. From there you can start building larger structures without needing any tools at all.

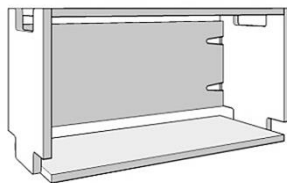
choose the structure you like



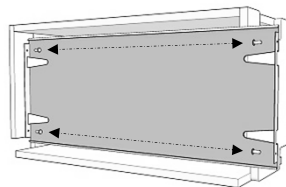
construction of a basic module 1



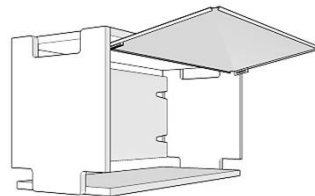
construction of a basic module 2



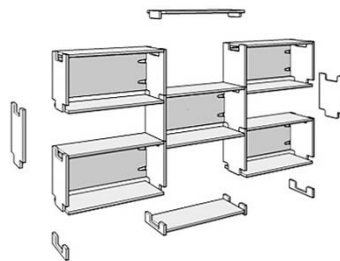
construction of a basic module 3



construction of a basic module 4

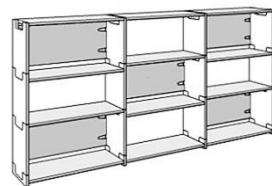


construction of the honeycomb 5

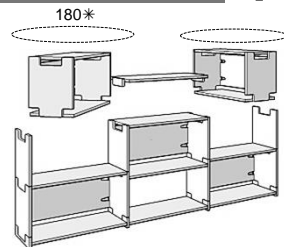


You can start building larger structures without needing any tools at all.

construction of the honeycomb 6



construction of the honeycomb 7



It is stable and can be used from both sides. The shelf can easily be rearranged and no tools are needed for the process.

instructions

1. construction of the shelf and side panels
2. construction of the back wall
3. backwall must be attached with plastic trucks
4. the multipurpose door is an extra detail
5. to build structure, You need:
 - side panel
 - shelf panel with clasp
 - footing
6. stacking up the modules creates a honeycomb
7. changing of facade orientation

