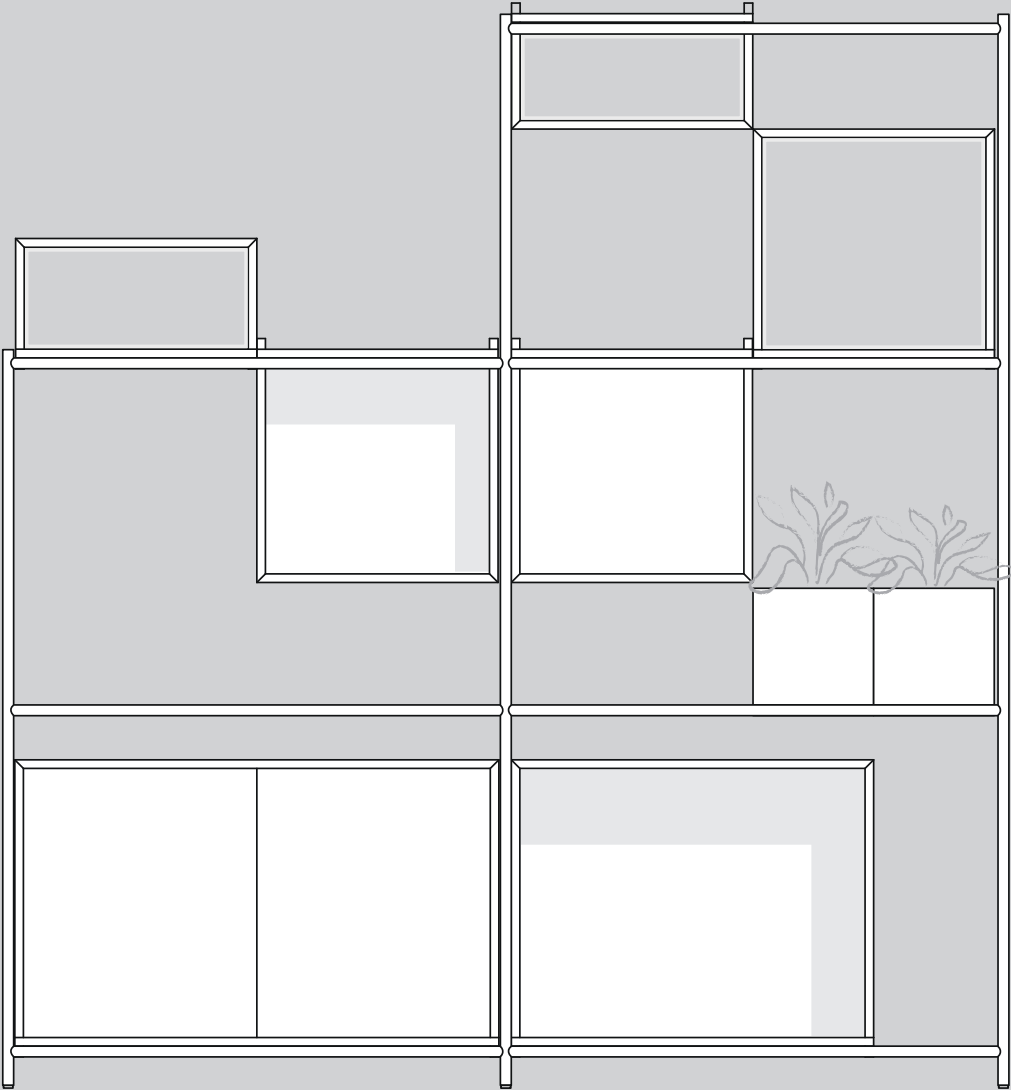


UNDERSTAND SHELF SYSTEM

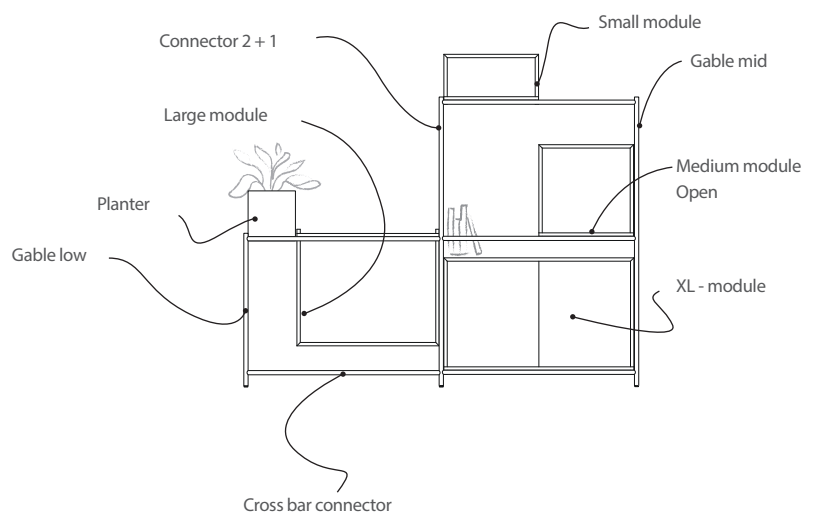
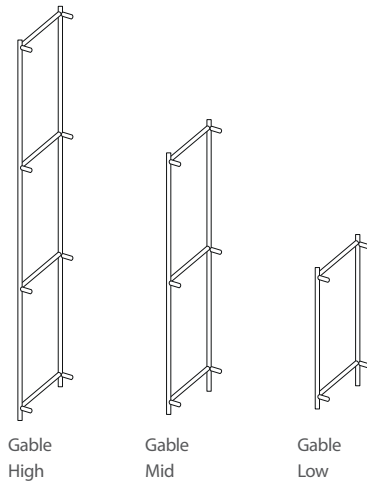
ASSEMBLY INSTRUCTION



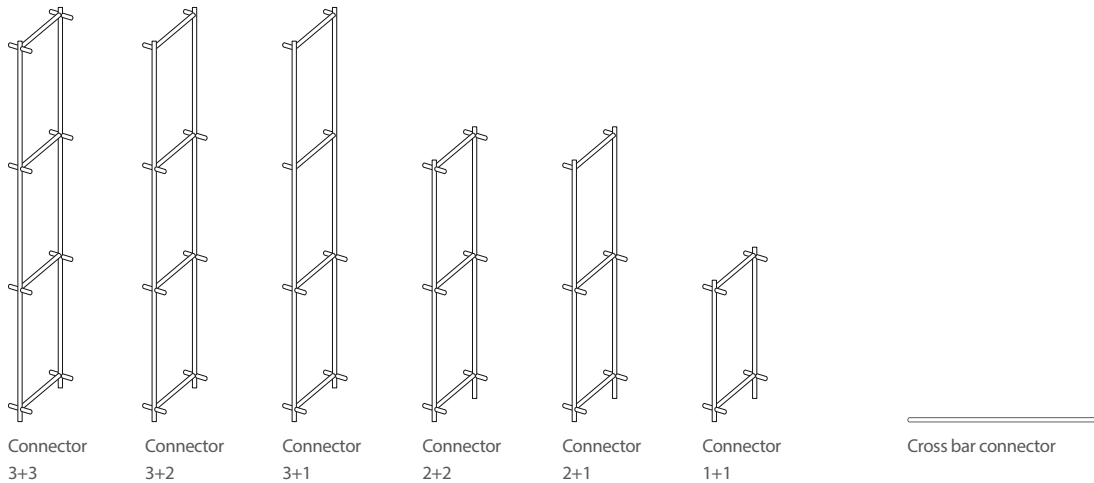
GABLES, CONNECTORS & MODULES

Understand always starts and ends with a gable of the High, Mid or Low model. To extend the shelf system connectors are added. These connectors are offered in a variety of models and sizes to make the system complete. The connectors enable the system to be extended without double gables which gives a cleaner look. The connectors are available in six different models for the user to create their own unique set-up.

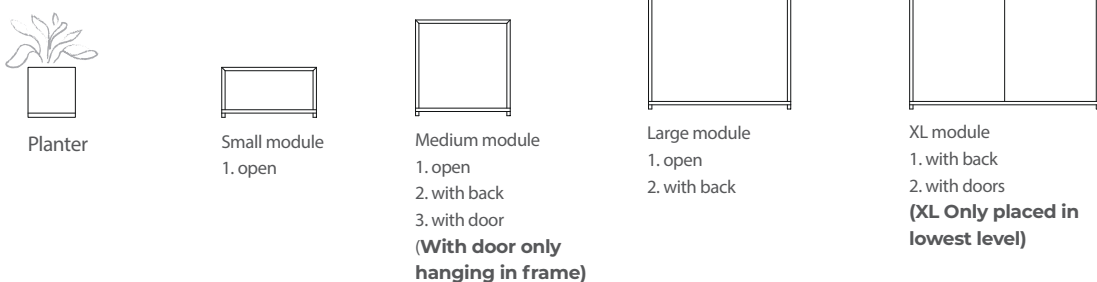
GABLES



CONNECTORS



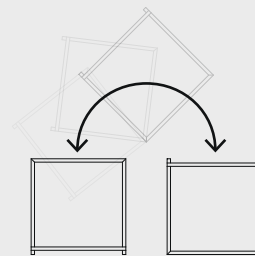
MODULES



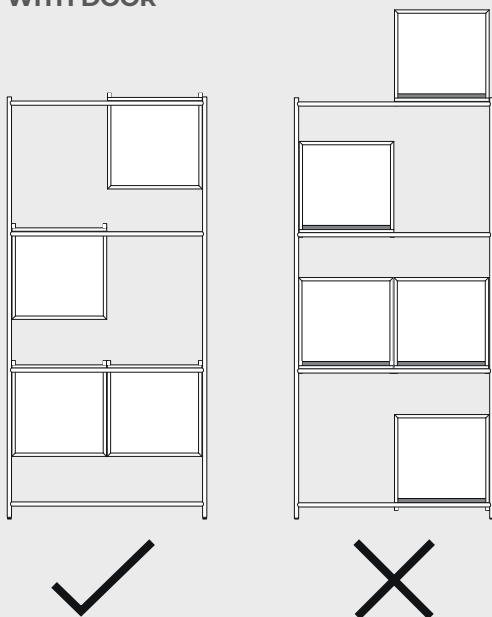
PLACING THE MODULES

By placing the boxes differently, either **hanging** or **standing** on top of the steel frame, practical shelves and beautiful voids can be created. Even a pot for greenery can be added.

Notice that there are limitations for the Medium module with doors and the XL module.

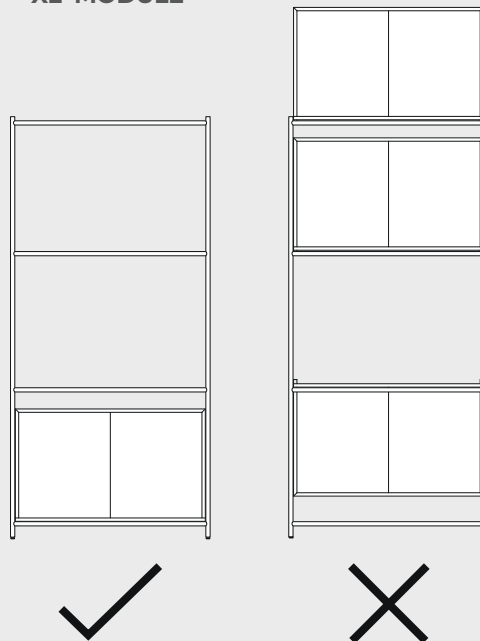


MEDIUM MODULE WITH DOOR



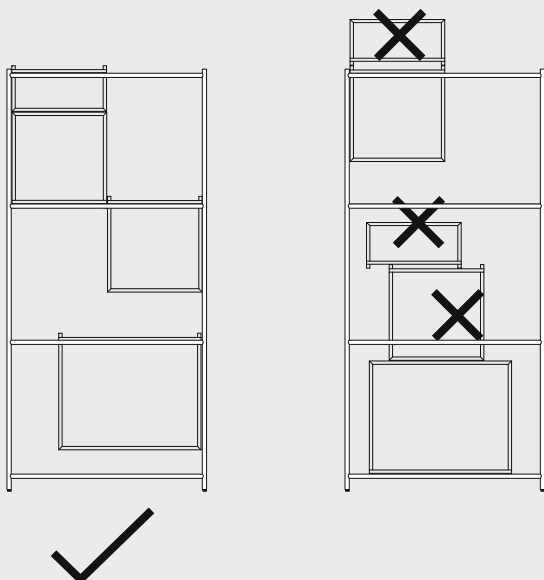
The medium module with door it is only allowed place it hanging in the frame construction.

XL MODULE



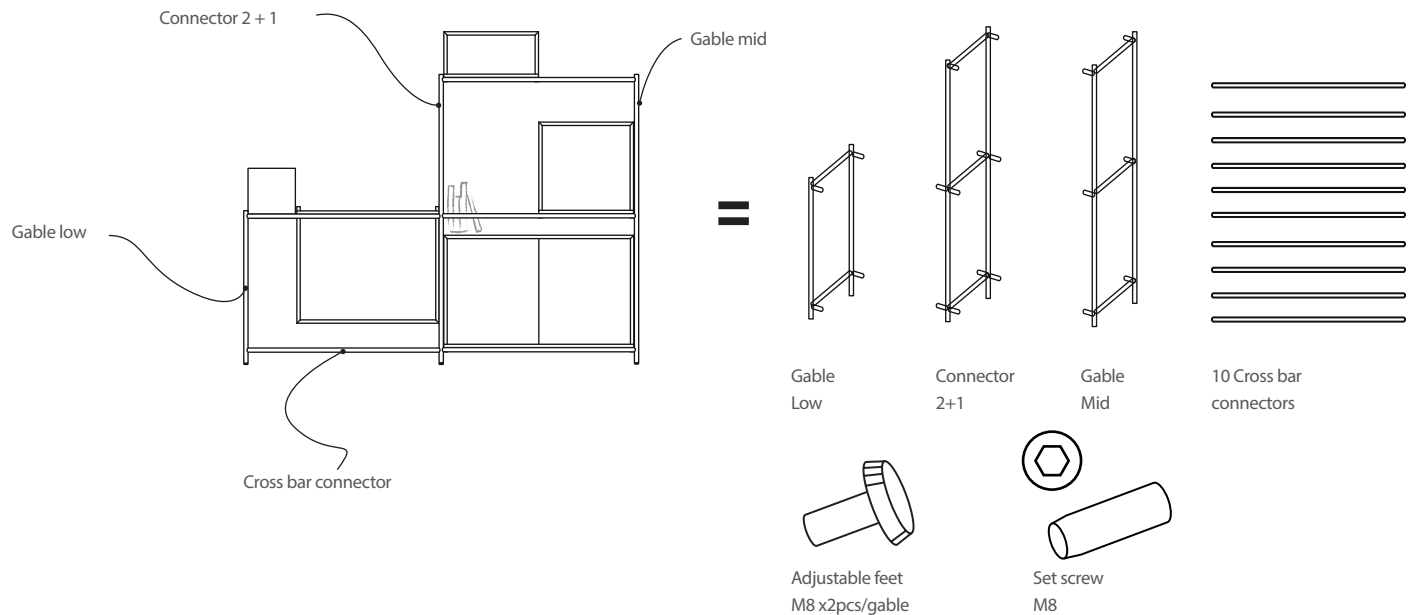
The XL-module is only allowed to be placed standing at the lowest level.

ALWAYS USE THE FRAME FOR SECURING THE MODULES. ALWAYS PLACED HANGING OR STANDING.

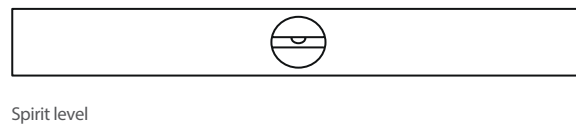
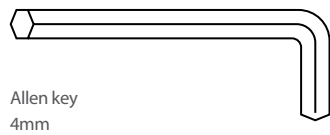


ASSEMBLE THE FRAME

Start with the assembly of the frame. The connectors are available in six different models for the user to create their own unique set-up. In this example we have 2 gables, 1 Connector and 10 Cross Bar Connectors.

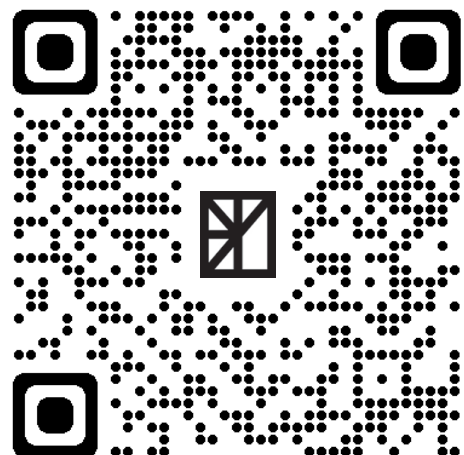


TOOLS



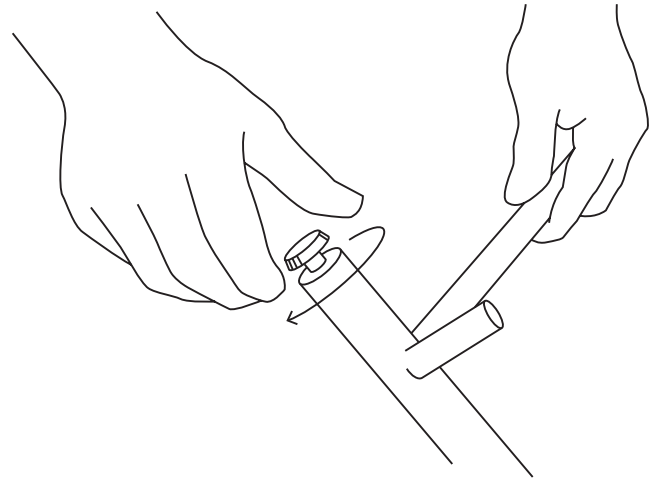
VIEW ASSEMBLY

Scan the QR-code to watch our instruction video.



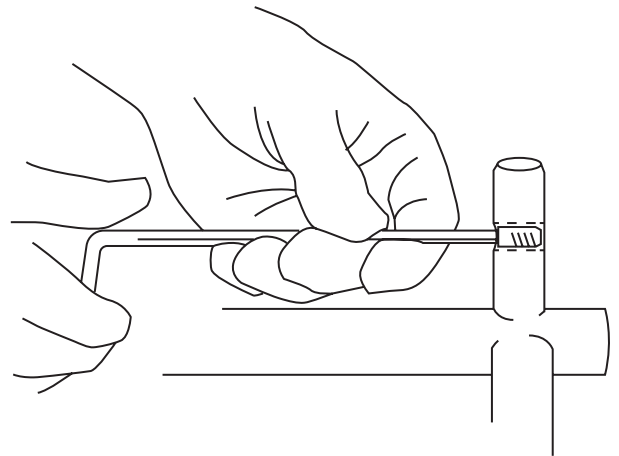
1. PLACE THE FEETS

Start to screw in the feet in the all the gables and the Connector 2+1.



2. ATTACH THE SET SCREWS

Prepair the gables by screwing in all the set screws to the middle of the gable taps.

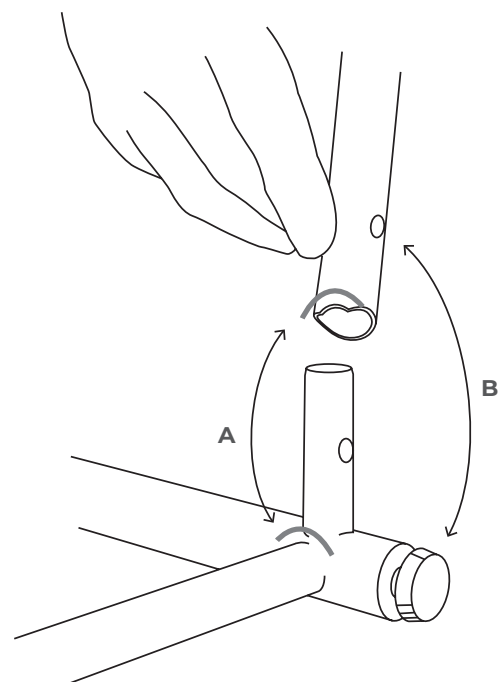


3. CROSS BAR CONNECTORS

Place the largest gable on the floor and attach cross bar connectors to all of the taps of the gable.

A. Make sure the dent on the cross bar are placed so it match the profile of the gable.

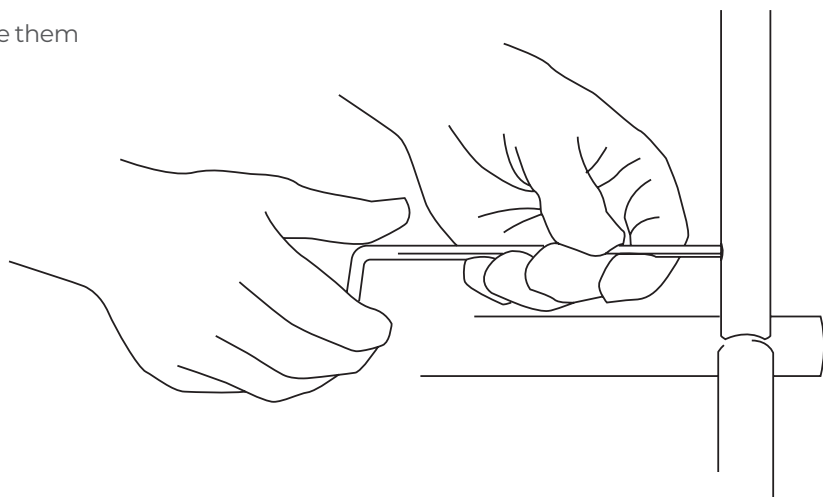
B. Make sure that the set screw hole is facing towards the feet of the gable.



4. FASTEN THE CONNECTORS

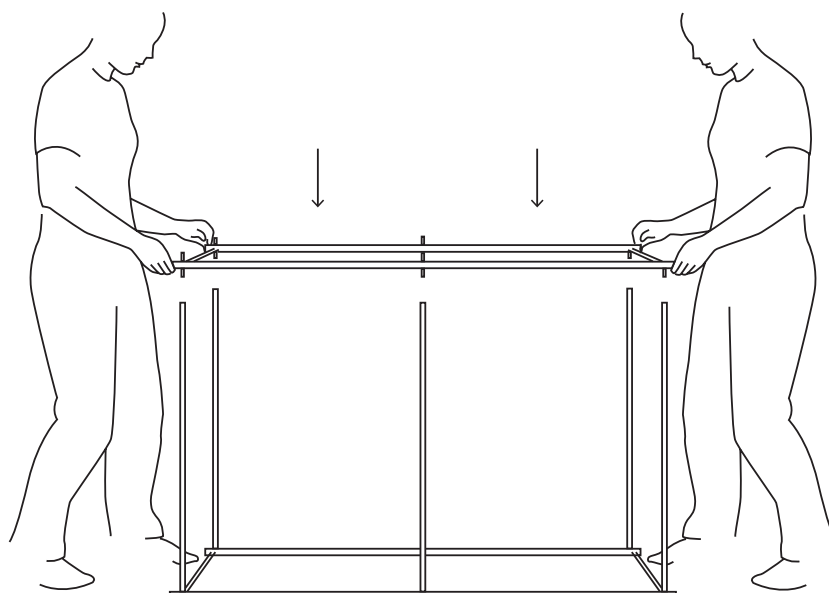
When all cross bars are attached to the taps secure them with the set screws.

Do NOT draw the screw to tight at this stage.



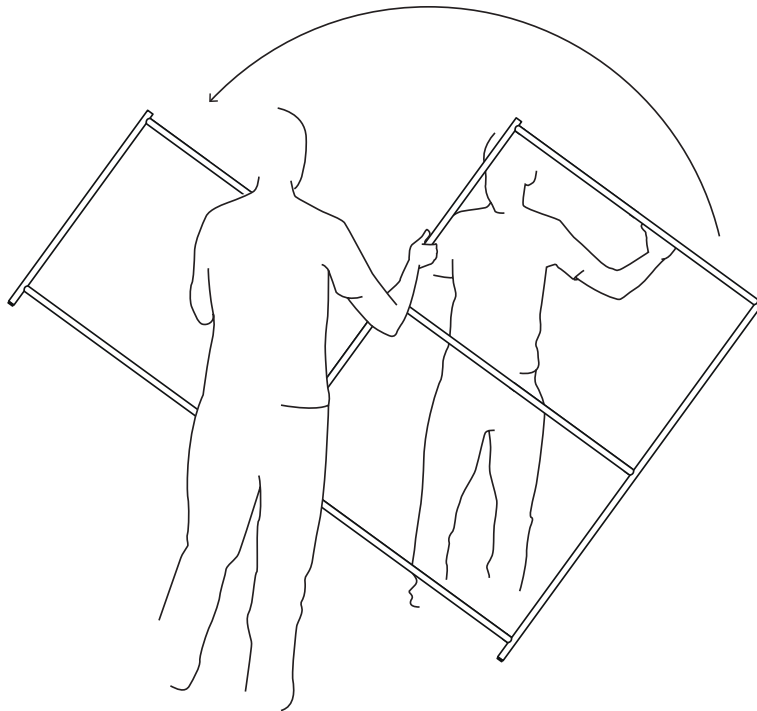
5. CONNECTOR AND GABLES

With all the cross bar connectors in place take help to mount the next gable or connector. This can be done alone when mounting the low gable.



6. FLIPPING THE MODULE

When turning the module make sure to be two people to not cause any injuries or damages.



7. LEVEL AND TIGHTEN

With the whole frame assembled make sure to level the frame. Make sure to do this both along the width and depth.

Now is also the time to tighten all of the set screws one last time to make sure the cross bars are secured.

