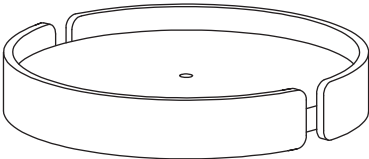


x1



x1



x1



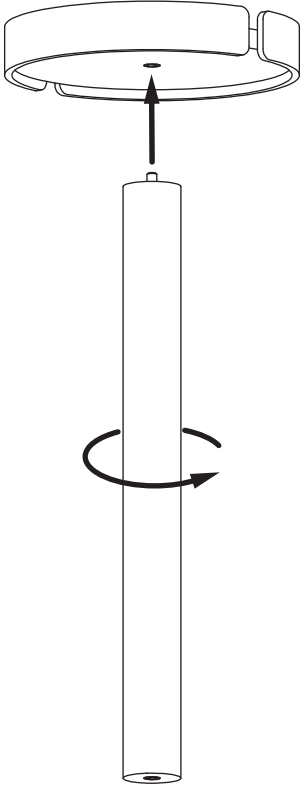
M8x25

x1



x1

1.



2.

